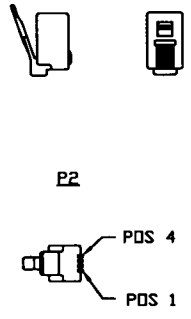
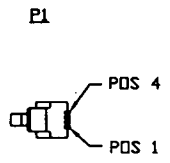
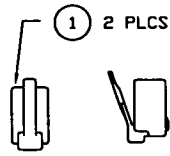
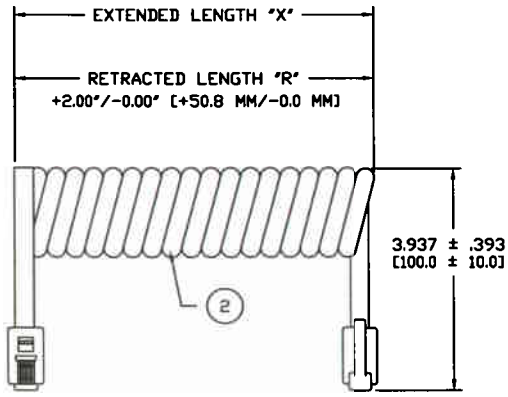


THESE DRAWINGS AND SPECIFICATIONS ARE THE SOLE PROPERTY OF I/O INTERCONNECT INC. U.S.A. AND SHALL NOT BE REPRODUCED, COPIED, OR USED IN ANY MANNER WITHOUT THE PRIOR WRITTEN CONSENT OF I/O INTERCONNECT INC. OR ITS AFFILIATED SUBSIDIARIES.

| DWG. NO. | ZONE | REV. | DESCRIPTION | DATE | APPROVED |
|-----------|------|------|---|----------|----------|
| XX4-51X-D | | D | ECN C285 | 09/17/01 | K.C. |
| | | E | CHANGE CUSTOMER P/N FOR P/N 444-184-50-3 TO H1442-10C-ND FOR ECN D132 | 09/17/01 | C.H. L. |
| | | F | ADD NOTE & CHANGE P/N TO ROHS COMPLIANT PER ECN D828 | 04/22/05 | M.G. |



WIRE DIAGRAM

| P1 | | P2 |
|----|--------|----|
| 1 | BLACK | 4 |
| 2 | RED | 3 |
| 3 | GREEN | 2 |
| 4 | YELLOW | 1 |

| | | | | | |
|----------------------|-------------------|-----------------------|---------------------|----------------------|--------------|
| T.B.D. | GLF-444-144-515-D | GLF-121-410-022 | 14.0 FT [4.3 M] | 34.0 IN [863.6 MM] | WHITE |
| T.B.D. | GLF-444-144-514-D | GLF-121-410-012 | 14.0 FT [4.3 M] | 34.0 IN [863.6 MM] | BLACK |
| T.B.D. | GLF-444-144-513-D | GLF-121-410-002 | 14.0 FT [4.3 M] | 34.0 IN [863.6 MM] | SILVER SATIN |
| T.B.D. | GLF-444-104-512-D | GLF-121-410-021 | 10.0 FT [3.0 M] | 30.0 IN [762.0 MM] | WHITE |
| H1442-10C-ND | GLF-444-104-511-D | GLF-121-410-011 | 10.0 FT [3.0 M] | 30.0 IN [762.0 MM] | BLACK |
| T.B.D. | GLF-444-104-510-D | GLF-121-410-001 | 10.0 FT [3.0 M] | 30.0 IN [762.0 MM] | SILVER SATIN |
| T.B.D. | GLF-444-074-515-D | GLF-121-410-020 | 7.0 FT [2.1 M] | 21.0 IN [533.4 MM] | WHITE |
| T.B.D. | GLF-444-074-514-D | GLF-121-410-010 | 7.0 FT [2.1 M] | 21.0 IN [533.4 MM] | BLACK |
| T.B.D. | GLF-444-074-513-D | GLF-121-410-000 | 7.0 FT [2.1 M] | 21.0 IN [533.4 MM] | SILVER SATIN |
| T.B.D. | GLF-444-054-512-D | GLF-121-410-023 | 5.0 FT [1.5 M] | 17.0 IN [431.8 MM] | WHITE |
| H1442-05C-ND | GLF-444-054-511-D | GLF-121-410-013 | 5.0 FT [1.5 M] | 17.0 IN [431.8 MM] | BLACK |
| H1443-05C-ND | GLF-444-054-510-D | GLF-121-410-003 | 5.0 FT [1.5 M] | 17.0 IN [431.8 MM] | SILVER SATIN |
| DIGI-KEY PART NUMBER | ID# PART NUMBER | ID# CABLE PART NUMBER | EXTENDED LENGTH "X" | RETRACTED LENGTH "R" | COLOR |

NOTES: UNLESS OTHERWISE SPECIFIED.

- TEST CABLE FOR ALL OPENS & SHORTS.
- PACKAGE CABLE ASSEMBLY INDIVIDUALLY IN PLASTIC BAG. PACKAGE INDIVIDUAL BAG PER LOT NUMBER QUANTITIES.
- MARK OUTSIDE OF SHIPPING BOX WITH CUSTOMER PART NUMBER.
- PLACE BAR CODE LABEL ON THE OUTSIDE OF EACH SHIPPING BOX LABEL DETAIL SEE DWG 090-990-001.
- ALL METRICAL SHOULD BE ROHS COMPLIANT.

| ITEM | QTY | MFG. | ID# PART NO. | DESCRIPTION |
|------|-------|------|------------------------|---|
| 2 | "X" | ID# | SEE "TABULATION BLOCK" | MODULAR COIL CABLE, 26 AWG (7/34) BARE COPPER, 4 CONDUCTOR, UNSHIELDED, PVC JACKET, (SEE TABULATION BLOCK FOR COLOR). ROHS COMPLIANT. |
| 1 | 2 PCS | ID# | GLF-325-441-50X | CONNECTOR, MODULAR PLUG, 4 POSITION, 4 CONDUCTOR, 50µ Au, FLAT TYPE EXIT. ROHS COMPLIANT. |

CABLE ASSEMBLY PARTS LIST

THIRD ANGLE PROJECTION

UNLESS OTHERWISE NOTED:
 1) DIMENSIONS ARE IN INCHES (MILLIMETER)
 2) TOLERANCES:
 XXX ± 0.25 [6.35]

I/O INTERCONNECT
 SANTA ANA, CALIFORNIA

DR. BY: JERRY BAI
 DR. CHECKED: SA/02/05

TITLE: 4P4C/4P4C COIL CABLE, STANDARD STYLE, CABLE ASSEMBLY
 P/N: H144X-XXC-ND

PART NO: GLF-444-XX4-51X-D
 DWG NO: GLF-444-XX4-51X-D

CUSTOMER: DIGI-KEY
 SCALE: NONE
 SHEET 1 OF 1